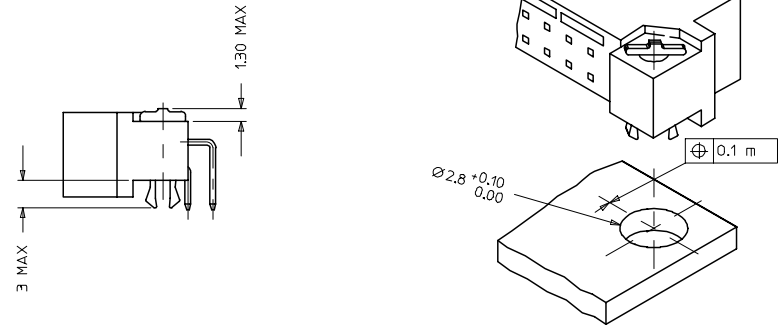


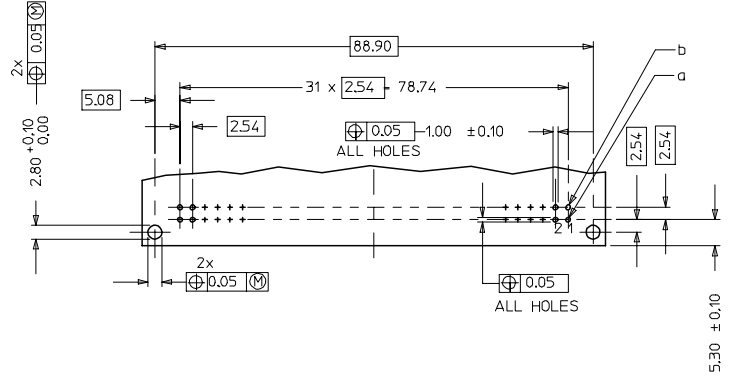
WITH MOUNTING CLIPS

8:1



- NOTES:
- MATERIALS: THERMX (PCT), GLASS FILLED, UL94V-0.COLOUR: NATURAL
TERMINAL - BRASS
MOUNTING CLIP: STEEL
 - FINISH: TERMINAL-
CONTACT AREA
1. PERFORMANCE LEVEL 1: SELECTIVE GOLD (Au), THICKNESS = 1.1 MICROMETER
OVER NICKEL, THICKNESS = 1.25 MICROMETER
2. PERFORMANCE LEVEL 2: SELECTIVE GOLD (Au), THICKNESS = 0.6 MICROMETER
OVER NICKEL, THICKNESS = 1.25 MICROMETER
3. PERFORMANCE LEVEL 3: SELECTIVE GOLD (Au), THICKNESS = 0.3 MICROMETER
OVER NICKEL, THICKNESS = 1.25 MICROMETER
TERMINATION AREA:
SELECTIVE TIN, THICKNESS = 2.5 MICROMETER
OVER NICKEL, THICKNESS = 1.25 MICROMETER OVERALL
 - MOUNTING CLIP:-
TIN (Sn), THICKNESS = 5-10 MICROMETER,
OVER NICKEL (Ni), THICKNESS = 2.5 MICROMETER
 - FOR NON MOUNTING CLIP OPTION, CONNECTOR TO BE SECURED WITH
RIVETS: 2 TUBULAR RIVETS 2.5 x 0.3 - DIN 7340
SCREWS: 2 CHEESEHEAD SCREWS M2.5 x ... DIN 84 AND 2 HEXAGONAL NUTS M2.5 DIN 934
 - MATERIAL NUMBER, BATCH CODE, UL AND CSA MARKING
TO BE PRINTED ON THE CONNECTOR
 - CUT FACE OF TIP WITHOUT PLATING PERMITTED
 - PRODUCT SPECIFICATION PS : 85003-0001

RECOMMENDED PCB LAYOUT COMPONENT SIDE



PRE MATING CONTACTS	5.4
NORMAL CONTACTS	4.8
	L

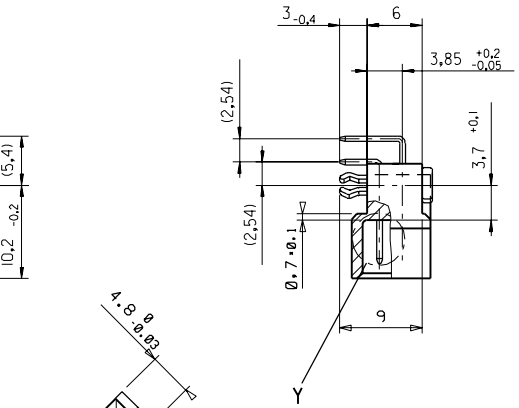
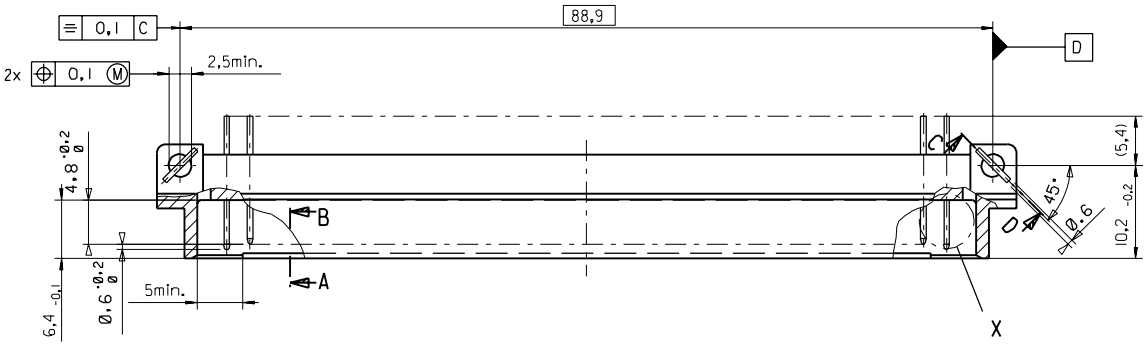
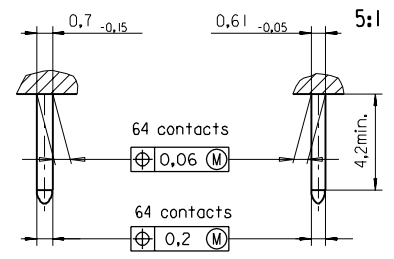
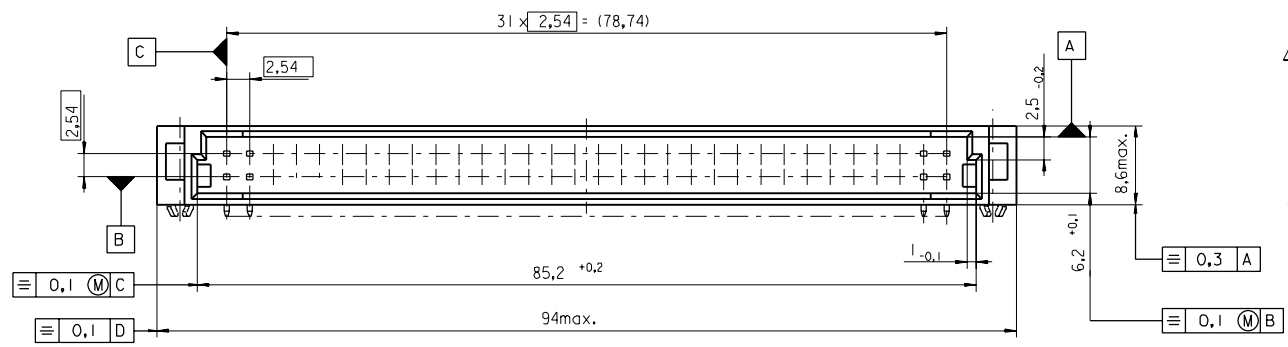
RoHS COMPLIANT

ENTER DESCRIPTION ELC.NCL.12007-0193 DRAWING NO. 2007/01/08 CHKD.SSUDHAR 2007/01/08 APPR.PRASAD 2007/01/09	QUALITY SYMBOLS ▽=0 ▽=0	GENERAL TOLERANCES (UNLESS SPECIFIED)		DIMENSION STYLE MM ONLY		SCALE 2:1	DESIGN UNITS METRIC	THIRD ANGLE PROJECTION
		4 PLACES ± --- ± --- 3 PLACES ± 0.05 ± --- 2 PLACES ± 0.1 ± --- 1 PLACE ± 0.15 ± ---	INCH ± --- ± --- ± ---	DRAWN BY SS	DATE 2004/04/06	CHECKED BY G.J.LOWE	DATE 2004/04/06	ASSEMBLY, DIN 41612, B MALE, 64 POS. HIGH TEMPERATURE CONNECTOR
DRAFT WHERE APPLICABLE MUST REMAIN WITHIN DIMENSIONS		SEE CHART		MATERIAL NO.		DOCUMENT NO.		SHEET NO.
		SIZE A1		THIS DRAWING CONTAINS INFORMATION THAT IS PROPRIETARY TO MOLEX INCORPORATED AND SHOULD NOT BE USED WITHOUT WRITTEN PERMISSION		MOLEX INCORPORATED SD-85001-0001		4 OF 4

PART NO.
DWG. NO.

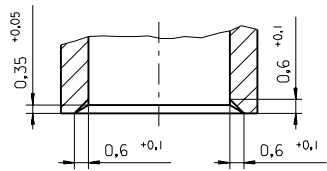
View X
5:1

View Y
5:1



Section C - D

Section A - B
5:1



FIRST ANGLE PROJECTION		REVISE ONLY ON CAD SYSTEM		SH.	REV.
first release see ECN No. 1887	REVISIONS FOR PREVIOUS REVISIONS SEE MRI LIST	UNLESS OTHERWISE SPECIFIED TOLERANCES: ANGULAR ±2°	DRWG BY	CAD/CAM PROJECT NAME	
		INCH METRIC	Ca	85001000	THIS DRAWING CONTAINS INFORMATION THAT IS PROPRIETARY TO MOLEX INC. & SHOULD NOT BE USED WITHOUT WRITTEN PERMISSION
		3 PLACE ± . ±	CHK'D BY	TITLE	
		2 PLACE ± . ±	KN	64 pos. Male connector acc. DIN 41612 style B Dimensions	
DRAFT WHERE APPLICABLE MUST REMAIN WITHIN DIMENSIONS	APP'D BY	MOLEX EUROPE	SHEET NO.	DATE	
DESIGN DIMENSION <input checked="" type="checkbox"/> MM	SCALE	1 OF	95/06/06		
EQUIVALENT DIMENSION <input type="checkbox"/> MM	2:1	PART NO.	DWG NO.	SIZE	
IF TWO DIMENSIONS ARE SHOWN THE UPPER IS THE DESIGN DIMENSION, LOWER IS SECONDARY		SDA-85001-0001		B	

