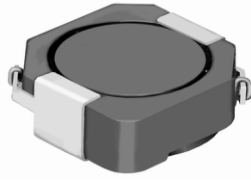


SMD Power Inductor CDRH5D18R



Description

- Ferrite drum core construction.
- Magnetically shielded.
- L × W × H: 6.3 × 6.2 × 2.0 mm Max.
- Product weight: 0.22g(Ref.)
- Moisture Sensitivity Level: 1
- RoHS compliance.

Environmental Data

- Operating temperature range: -40°C ~ +105°C (including coil's self temperature rise)
- Storage temperature range: -40°C ~ +105°C
- Solder reflow temperature: 260 °C peak.

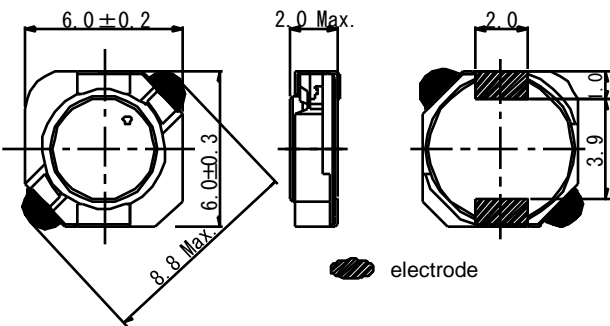
Packaging

- Carrier tape and reel packaging
- 12.9" diameter reel
- 2000pcs per reel

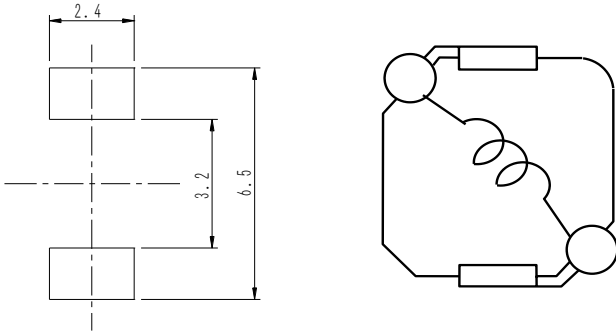
Applications

- Ideally used in MP3, PDA, HDD, DSC/DVC, Notebook PC, etc. as DC-DC converter inductors.

Dimension - [mm]



Land pattern and Schematics - [mm]





Electrical Characteristics

Part Name	Stamp	Inductance (μH) [within] ※1	D.C.R. (m Ω) [Max.] (Typ.) (at 20°C)	Saturation Current (A) ※2		Temperature Rise Current (A) ※3
				at 20°C	at 105°C	
CDRH5D18RNP-2R2NC	2R2	2.2 \pm 30%	45.0(36.0)	2.28	1.88	2.50
CDRH5D18RNP-3R3NC	3R3	3.3 \pm 30%	52.5(42.0)	1.88	1.56	2.20
CDRH5D18RNP-3R9NC	3R9	3.9 \pm 30%	62.5(50.0)	1.74	1.44	1.95
CDRH5D18RNP-4R7NC	4R7	4.7 \pm 30%	78.5(63.0)	1.68	1.38	1.82
CDRH5D18RNP-5R6NC	5R6	5.6 \pm 30%	102.5(82.0)	1.52	1.21	1.75
CDRH5D18RNP-8R2NC	8R2	8.2 \pm 30%	135.0(108.0)	1.28	1.04	1.38
CDRH5D18RNP-100NC	100	10 \pm 30%	143.5(115.0)	1.20	0.97	1.35
CDRH5D18RNP-120NC	120	12 \pm 30%	150.0(120.0)	1.10	0.89	1.10
CDRH5D18RNP-150NC	150	15 \pm 30%	181.2(145.0)	0.95	0.77	0.95
CDRH5D18RNP-180NC	180	18 \pm 30%	212.5(170.0)	0.88	0.72	0.90
CDRH5D18RNP-220NC	220	22 \pm 30%	290.0(225.0)	0.81	0.64	0.80

※1. Inductance measuring condition: at 100kHz.

※2. Saturation current: The value of D.C. current when the inductance decreases to 65% of it's nominal value.

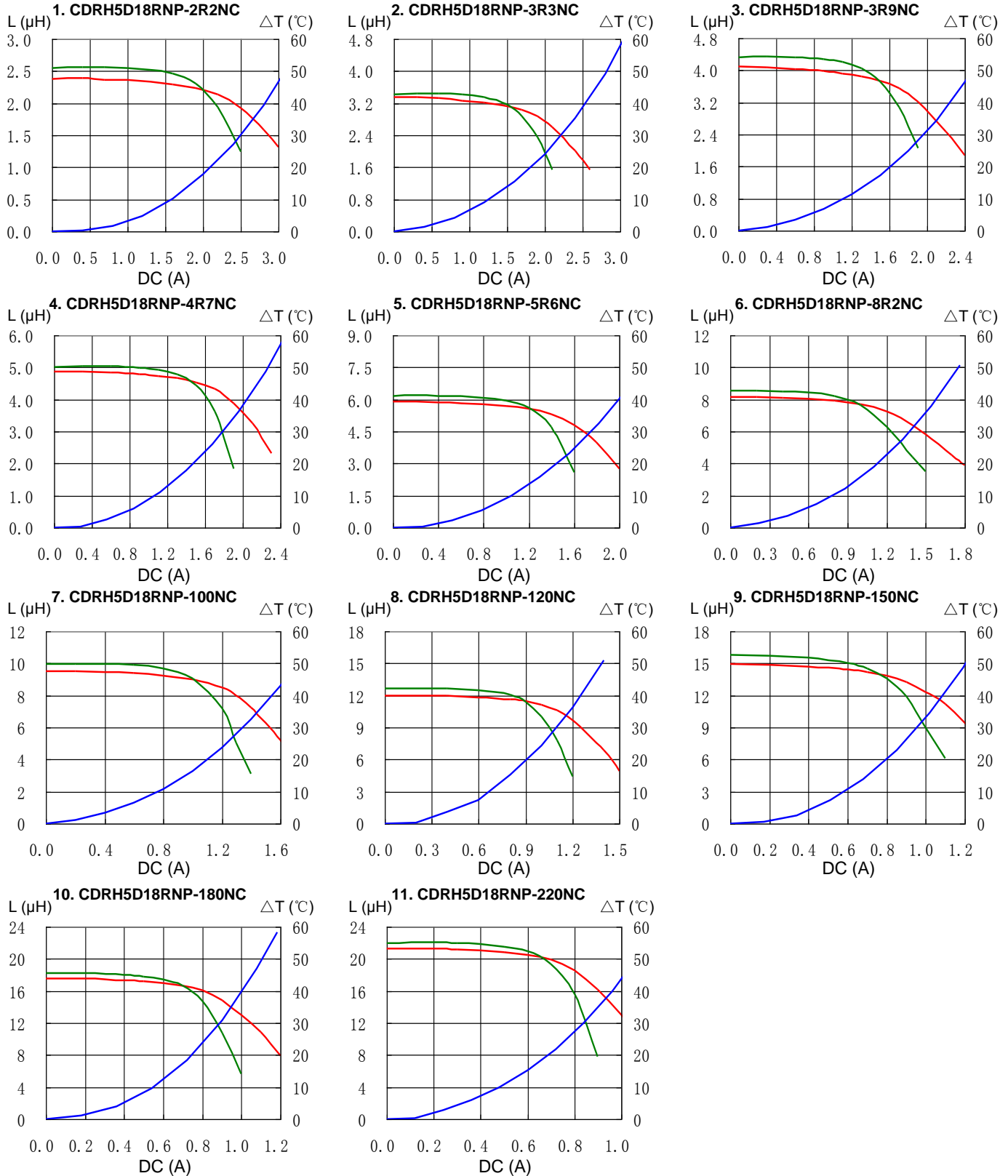
※3. Temperature rise current: The value of D.C. current when the temperature rise is $\Delta t=40^\circ\text{C}$ ($T_a=20^\circ\text{C}$).

SMD Power Inductor CDRH5D18R

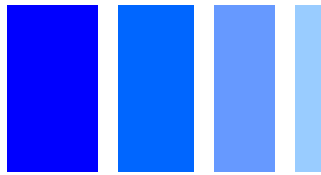


Saturation Current & Temperature Rise Graph

— L (20°C) — L (105°C) — ΔT

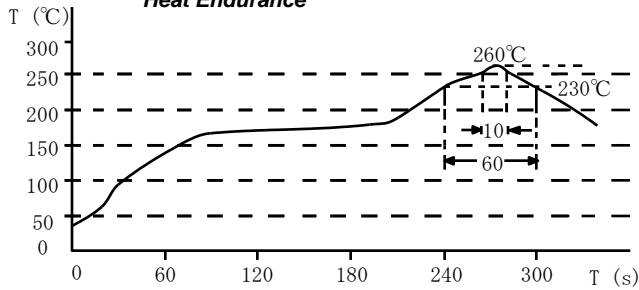


SMD Power Inductor CDRH5D18R

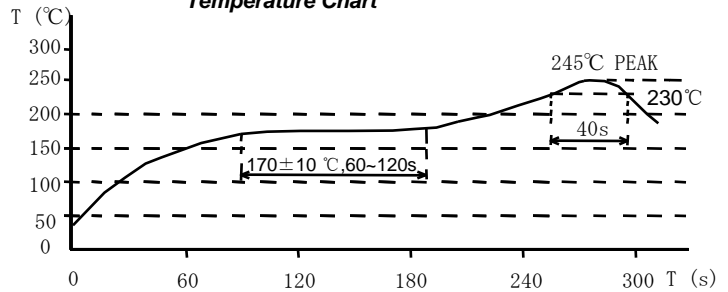


Solder Reflow Condition

Heat Endurance



Temperature Chart



Please refer to the sales offices on our website - <http://www.sumida.com>

Hong Kong

Tel.+852-2880-6781
FAX.+852-2565-9600
sales@hk.sumida.com

Saitama(Japan)

Tel.+81-48-691-7300
FAX.+81-48-691-7340
sales@jp.sumida.com

Chicago

Tel.+1-847-545-6700
FAX. +1-847-545-6720
sales@us.sumida.com

Shanghai

Tel.+86-21-5836-3299
FAX.+86-21-5836-3266
shanghai.sales@cn.sumida.com

Seoul

Tel.+82-2-6237-0777
FAX.+82-2-6237-0778
sales@kr.sumida.com

Obernzell

Tel.+49-8591-937-0
FAX. +49-8591-937-103
contact@eu.sumida.com

Shenzhen

Tel.+86-755-8291-0228
FAX.+86-755-8291-0338
shenzhen.sales@cn.sumida.com

Singapore

Tel.+65-6296-3388
FAX.+65-6841-4426
sales@sg.sumida.com

Neumarkt

Tel.+49-9181-4509-110
FAX. +49-9181-4509-310
infocomp@eu.sumida.com

Taipei

Tel.+886-2-8751-2737
FAX.+886-2-8751-2738
sales@tw.sumida.com

San Jose

Tel.+1-408-321-9660
FAX.+1-408-321-9308
sales@us.sumida.com