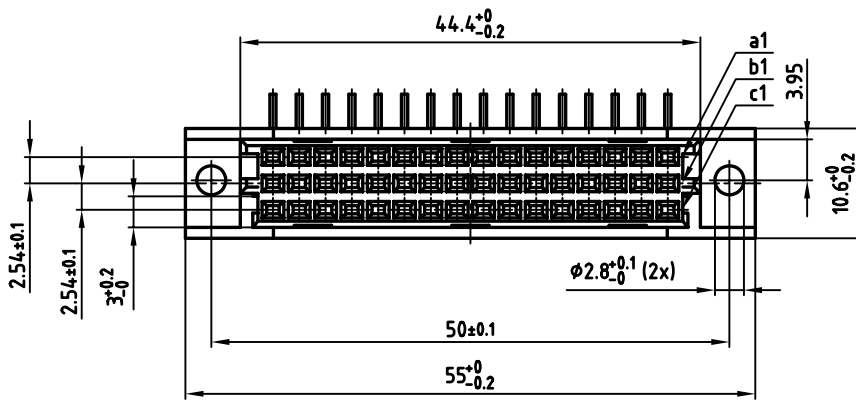
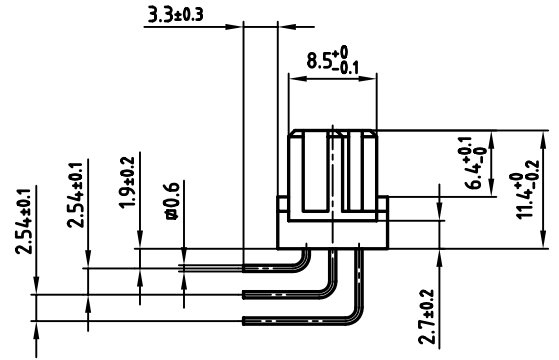
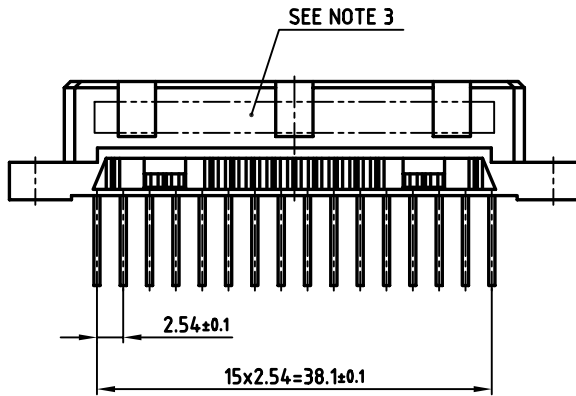


used for: DIN EN 60603-2 TYPE "C1/2"

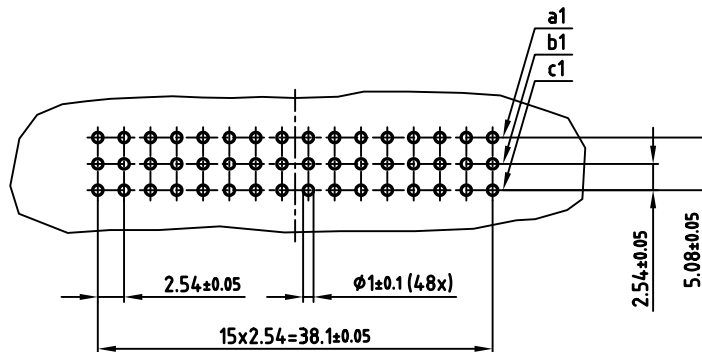


**NOTES:**

1. INSULATORS: PBTP GF UL 94 V-0, GREY
2. CONTACTS: COPPER ALLOY  
PLATING: GOLD OVER NICKEL  
50 MATING CYCLES
3. CONNECTOR IS PART MARKED: 122A10819X CONEC ABC



**P.C.B.- HOLE DRILLINGS**



APPROVAL # FREIGABE # DEBLOCAGE # AUTORIZACION # APPROVAL

CUSTOMER APPROVAL DATE:

NAME: TITLE:

COMPANY NAME:

APPROVAL # FREIGABE # DEBLOCAGE # AUTORIZACION # APPROVAL

THIS DRAWING MAY NOT BE COPIED OR REPRODUCED IN ANY WAY, AND MAY NOT BE PASSED ON TO A THIRD PARTY, WITHOUT WRITTEN PERMISSION. OWNERSHIP AND COPYRIGHT OF CONEC Gmbh DO NOT ALTER CAD DRAWING BY HAND

| rev. | description | date | name |
|------|-------------|------|------|
| a    | Origin      |      |      |

| tolerance | scale:   |
|-----------|--|
|           | 2:1  |
|           | material:  |
|           | SEE NOTES  |
|           | title:   |
|           | <b>FEMALE CONNECTOR TYPE "C1/2"</b><br>48pos. ANGLED |
|           | dwg no:  |
|           | AutoCAD 2006   |
|           | part no:   |
|           | 122A10819X   |

|       |                |              |         |
|-------|----------------|--------------|---------|
| 2007  | date           | name         |         |
| drawn | 23.05.         | Lehmenkühler |         |
| appd. | 23.05.         | Koch         |         |
| norm  | DIN EN 60603-2 |              |         |
| d-old |                |              |         |
|       |                |              | DIN-A   |
|       |                |              | 3       |
|       |                |              | sh: 1/1 |